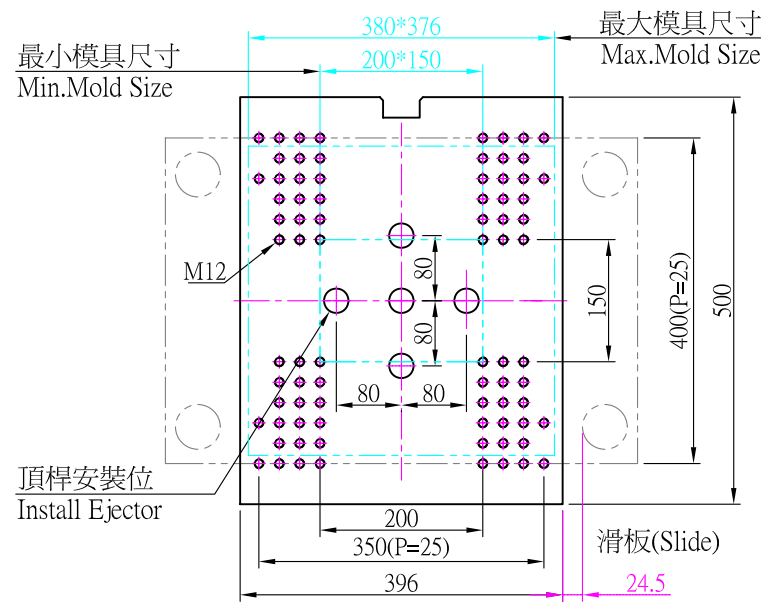


上模板(Upper Platen)



最小模具尺寸  
Min.Mold Size

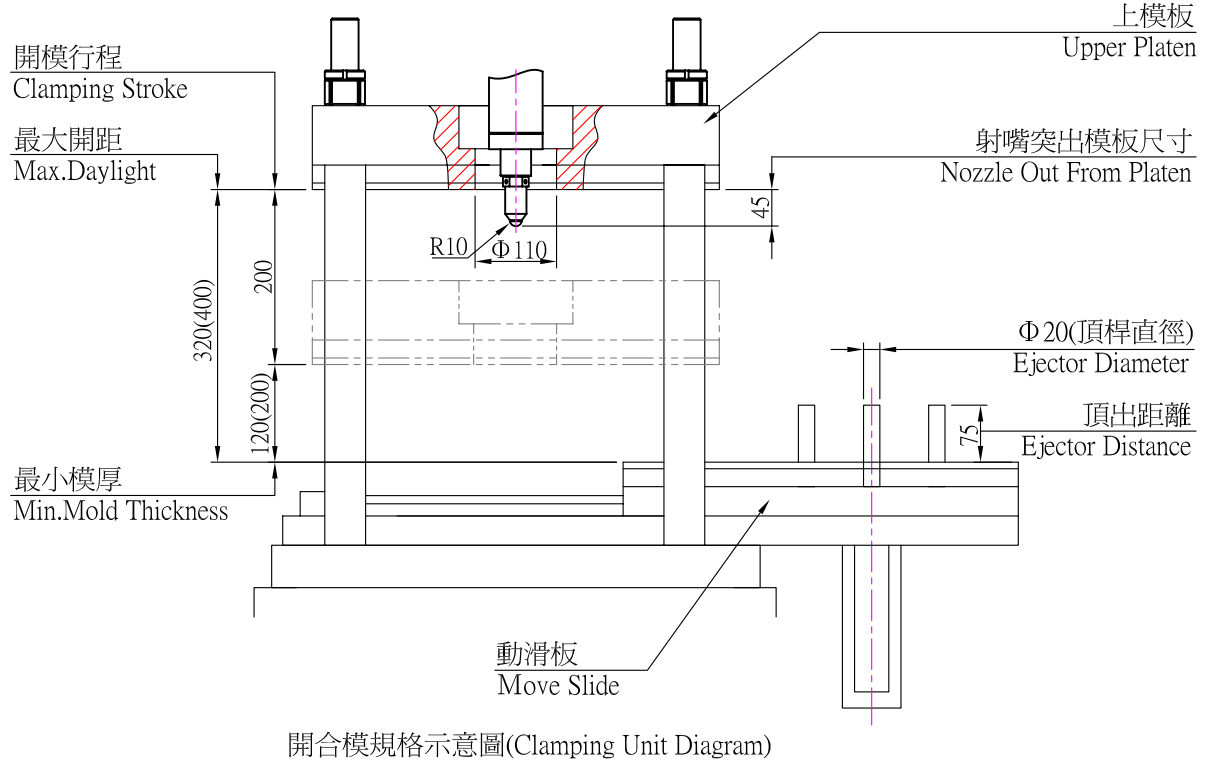
最大模具尺寸  
Max.Mold Size

頂桿安裝位  
Install Ejector

滑板(Slide)



操作側 Operating Side



開合模規格示意圖(Clamping Unit Diagram)

<p>百科机械</p>	Drawn By	Checked By	Approved By	Projection Type	Unit	Scale	Edition	Machine Type	V55S-LSR
	<p>RD13.LHH Jul.11.2011</p>	<p>RD10.ZHS Aug.6.2011</p>	<p>Wan Aug.6.2011</p>		mm	1:9	1	Drawing Name	裝模尺寸 (Mold Platen Layout)
									Drawing NO.