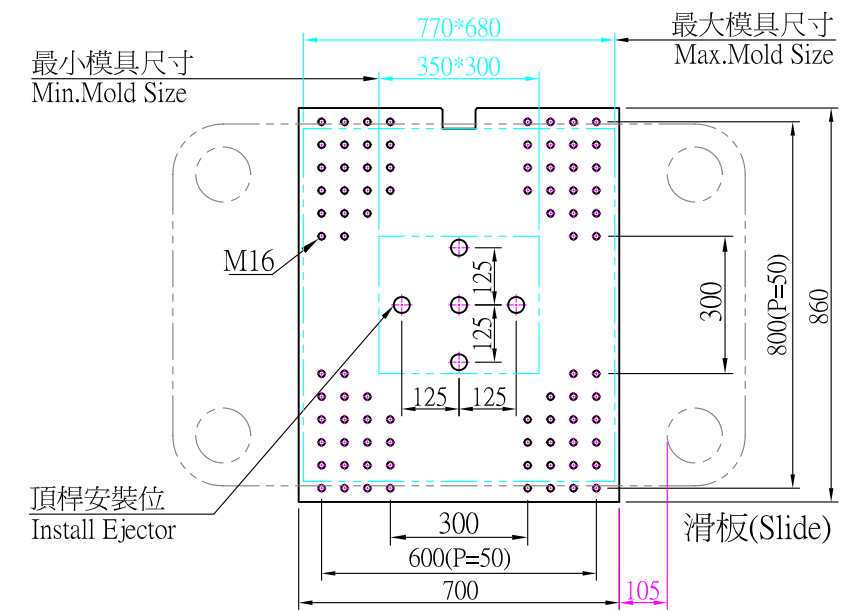
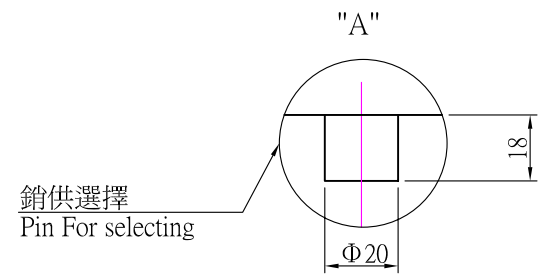


上模板(Upper Platen)



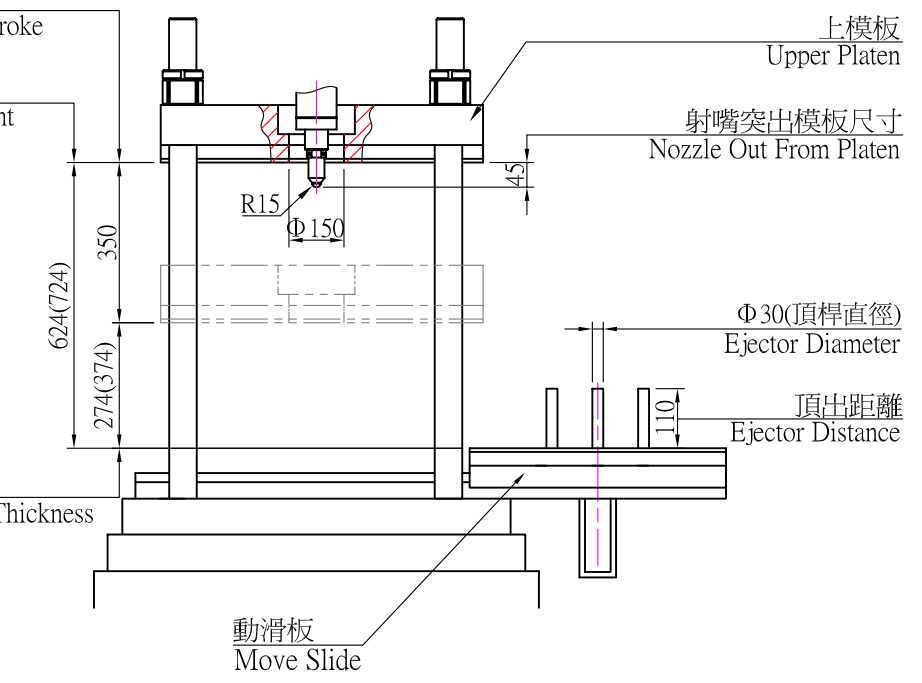
操作側  
Operating Side



開模行程  
Clamping Stroke

最大開距  
Max.Daylight

最小模厚  
Min.Mold Thickness



開合模規格示意圖(Clamping Unit Diagram)



Drawn By	Checked By	Approved By	Projection Type
RD13.LHH Jul.13.2011	RD10.ZHS Aug.6.2011	Wan Aug.6.2011	

Unit	Scale	Edition
mm	1:16	1

Machine Type	V200S-LSR
Drawing Name	裝模尺寸 (Mold Platen Layout)
Drawing NO.	V200S-LSR-MB