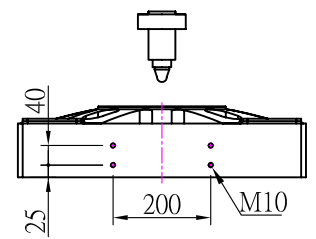


A

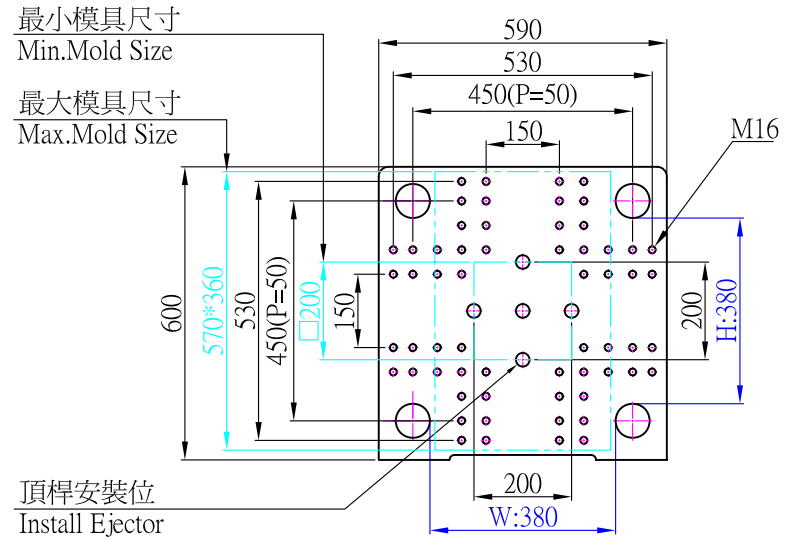
A



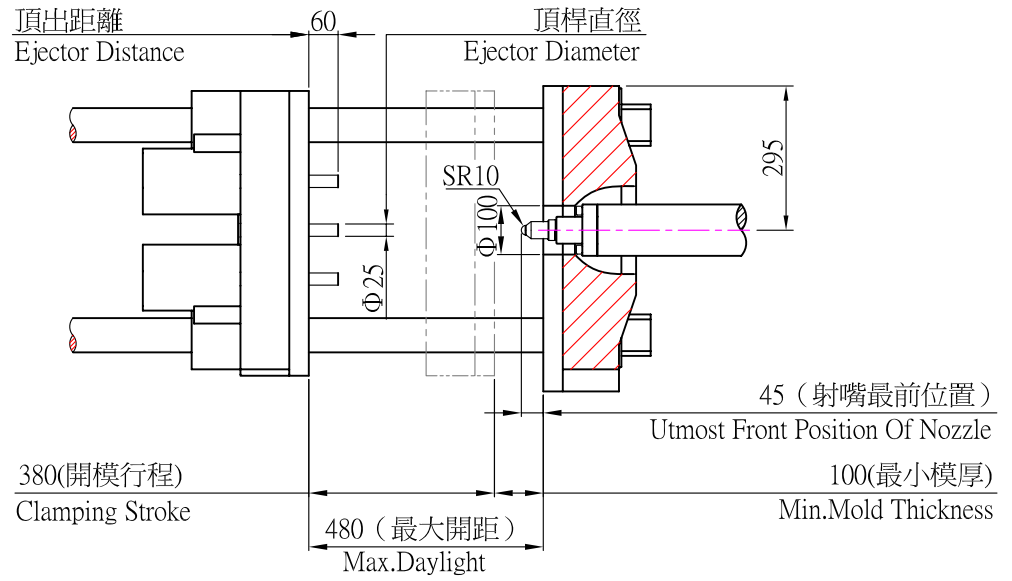
機械手安裝孔(Robot Mounting Holes)

B

B



可動模板 (Movable platen)



開合模規格示意圖(Clamping unit diagram)

C

C

D

D



Drawn By	Checked By	Approved By	Projection Type	Unit	Scale	Edition	Machine Type	MT90-GK-LSR
				mm	1:15	1	Drawing Name	裝模尺寸 (Mold Platen Layout)
							Drawing NO.	MT90-LSR-MB